

# Bedienungsanleitung

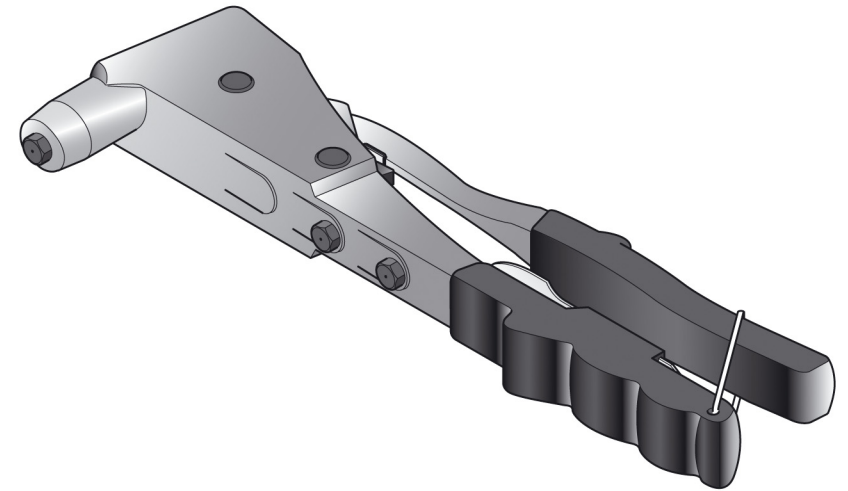
Handnietzange B150A

Artikelnummer:


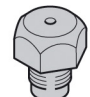
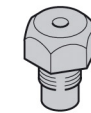

916004

Sprachen:

**en, de**



	Metric [mm]	Size	Imperial [inch]	nose piece
Standard Rivet	2,4	3	3/32	A <i>not included</i>
Standard Rivet	3,0 - 3,2	4	1/8	B
Standard Rivet	4,0	5	5/32	C
Standard Rivet	4,8 - 5,0	6	3/16	D

Capacity in stainless steel			
			
2,4 mm $\frac{3}{32}$ " <i>not included</i>		4,0 mm $\frac{5}{32}$ "	
3,0 - 3,2 mm $\frac{1}{8}$ "		4,8 - 5,0 mm $\frac{3}{16}$ "	